



Celltrio is leading the world of lab automation through its **modular** integration of proven task modules, data management software, and robotics. We are redefining the standards for science and medicine.

Robo-C™



Celltrio's side-loading centrifuge is a compact, secure, general purpose robotic centrifuge for low to mid-throughput clinical research, cell culture labs and cell production lines.



Clean & Safe

- Easily removable buckets and adapters for cleaning or autoclave
- Force-braking and free-braking features allow dynamic control of deceleration
- Minimizes human interaction & reduces the risk of contamination and errors



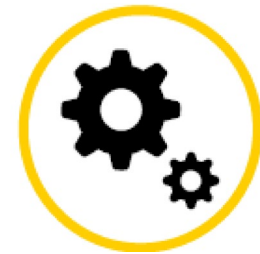
Reliable

- Rotor diagnostics and error recovery
- Automatic sample balancing combined with other Celltrio modules
- Vibration resistant, low maintenance, long-life components derived from industrial automation solutions



Data Management

- Powerful Celltrio BioFlow® software for advanced scheduling, data management, and centrifuge operation
- Data logs track user access, system performance, and sensors



Versatile

- Remote monitoring and control via powerful Celltrio BioFlow® software
- Automatic loading and unloading of samples
- Stores up to 50 user defined programs
- Conical Tubes: holds six 50 mL size conical tubes

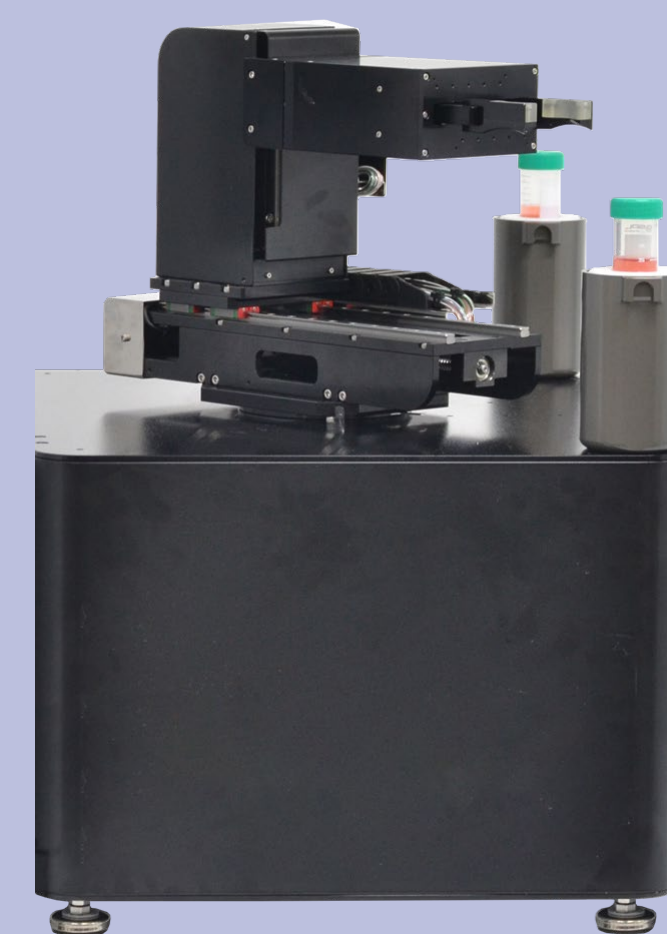
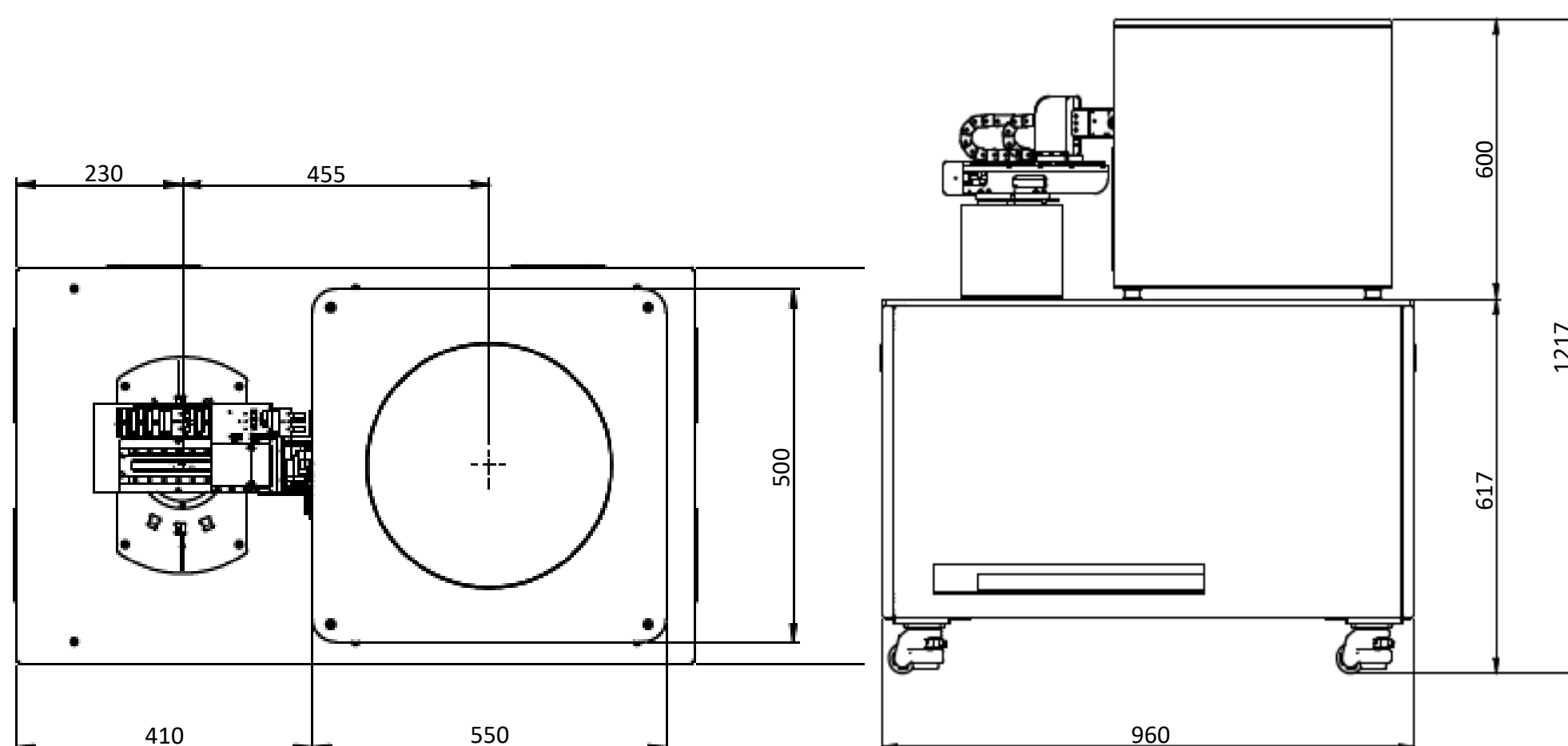
Specifications

Robo-C™ (Centrifuge) Specifications		
Rotor	Type	Swing Type Rotor
	Bucket Quantity	6
Loadable Labware	Conical Tube	50 mL
Centrifuge Performance	Max Speed	2270 rpm
	RCF	1000g
	Speed Increment	100 RPM or 10 g
	Acceleration	50, 75, 135 RPM / s
	Deceleration	8, 45, 135 RPM / s Brakes off : 30 RPM / s
Diagnostic	Rotor Diagnostics, Emergency Stop	
Rotation Direction	Counterclockwise	
Display	Size	4.3"
Chamber Diameter	450 mm	
Dimensions	936 x 553 x 636 mm	
Electrical	Power Connection	220v, 10A,
Weight	100kg	



Side-loading Centrifuge

Dimensions



Side-loading Robot

